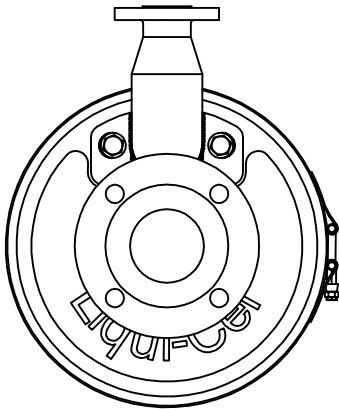
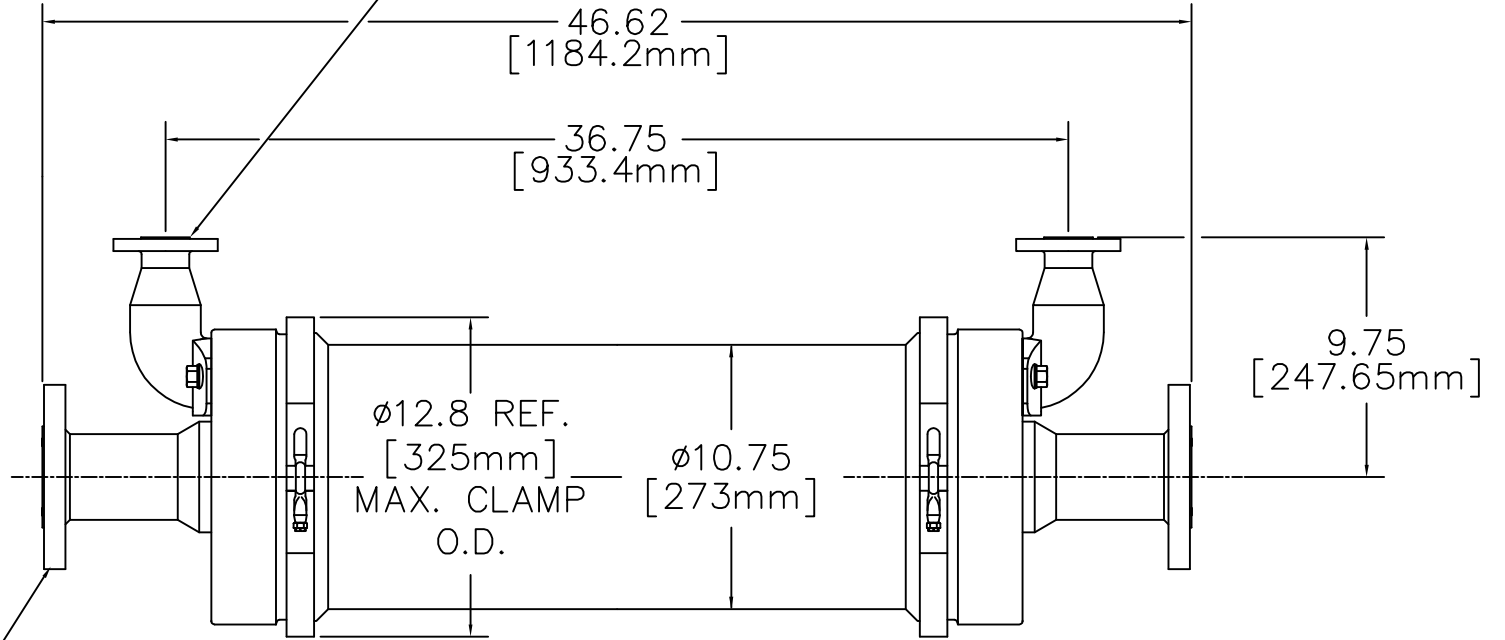


0.62 DIA. THRU,
3.12 DIA BOLT CIRCLE,
4 PLACES

1"-150 RAISED
FACE FLANGE PER
ANSI B16.5
2 EA.



3"-150 RAISED
FACE FLANGE PER
ANSI B16.5
2 EA.



ø12.8 REF.
[325mm]
MAX. CLAMP
O.D.

ø10.75
[273mm]

9.75
[247.65mm]

REV	DESCRIPTION	BY	CHKD	APVD	DATE
1					

MEMBRANA
Underlining Performance

DO NOT SCALE THIS DRAWING	THIRD ANGLE PROJECTION	NEED PART	DRAWING NUMBER	SHEET NO 1 OF 1	DESCRIPTION	MATERIAL	REMARKS
RFA NO	CA NO	APPROVED FOR CONSTRUCTION		SCALE	SMC-0110-12-7461		
DRAWN BY: RSC	CHECKED BY:	SUPERSEDES		NONE			
APPROVED BY:	APPROVED BY:	SUPERSEDED BY:		PLAN FILE NO	POCKET NO	FOLDER NO	REVISION 0